

ACCESS CONTROL » PRODUCTS

MAG LOCKS

ELECTROMECH
LOCKS

SPECIALTY LOCKS

EXIT DEVICES

ENTRY DEVICES

ACCESS CONTROL
ACCESSORIES

POWER SUPPLIES

POWER TRANSFER

POWER
ACCESSORIES

RESOURCES

SECURITRON®
ASSA ABLOY

ASSA ABLOY, the global leader in door opening solutions



PRODUCT FEATURES

- Redundant switches
- Release triggered by either 1/8" mechanical movement or reliable touch sense technology
- Optional MicroShield Anti-microbial coating ideal for infection control in health care environments
- Resistant to interference from radio frequency or electromagnetic frequency and external impact/bounce attempts
- All metal construction
- Can be field cut to fit non-standard door widths
- 16 ft. [4.8m] 22AWG 6 conductor cable and armored door cord included
- Automatic dual voltage 12VDC or 24VDC
- Resists electrostatic discharge up to 27,000 volts
- MagnaCare Lifetime Replacement No Fault Warranty

PRODUCT OPTIONS

- 36" Length
- 42" Length
- 48" Length

- EL- Prefix any model for ElectroLynx® ready
- -I Add to any model for Illuminated via fiber optics
- -A Add to any model for MicroShield Anti-microbial coating
- Through-bolt kit for doors 1-3/4" to 2-1/4" thick

SPECIFICATIONS

- CAN/ULC-S533 Listed
- ANSI/UL 294 Listed
- CSA-C22.2 No.205 Listed
- NFPA 101
- Patent pending

Electrical:
Dual Sense Bar Only -
24mA at 12VDC or 24VDC

Dual Sense Bar with Illumination -
44mA at 12VDC or 24VDC

Operating Temperature:
+32 to +120F [0 to +49C]
Recommended for indoor use only

Shipping Weight:
6lbs [2.72kg] to 8lbs [3.63kg]
depending on length

Finishes:
BK - Black anodized
CL - Clear anodized



DSB

Dual Sense Bar

Dependable Touch and Mechanical Release for Superior Safety and Redundancy

The dependable DSB Dual Sense Bar is the most reliable exit device available for magnetically locked, non-fire-rated doors. Its unique design delivers superior fault tolerance with two independent, redundant switch circuits for releasing the lock. The DSB can be installed on all types of interior metal, aluminum or wood doors. Meets "no special tools or knowledge" criteria required by code.

MODELS

PART #	Description
DSB-BK	DSB - 36", Black Anodized
DSB-BK42	DSB - 42", Black Anodized
DSB-BK48	DSB - 48", Black Anodized
DSB-BKA	DSB - 36", Black Anodized, Anti-Microbial
DSB-BKA42	DSB - 42", Black Anodized, Anti-Microbial
DSB-BKA48	DSB - 48", Black Anodized, Anti-Microbial
DSB-BKI	DSB - 36", Illuminated, Black Anodized
DSB-BKI42	DSB - 42", Illuminated, Black Anodized
DSB-BKI48	DSB - 48", Illuminated, Black Anodized
DSB-BKIA	DSB - 36", Illuminated, Black Anodized, Anti-Microbial
DSB-BKIA42	DSB - 42", Illuminated, Black Anodized, Anti-Microbial
DSB-BKIA48	DSB - 48", Illuminated, Black Anodized, Anti-Microbial
DSB-CL	DSB - 36", Clear Anodized
DSB-CL42	DSB - 42", Clear Anodized
DSB-CL48	DSB - 48", Clear Anodized
DSB-CLA	DSB - 36", Clear Anodized, Anti-Microbial
DSB-CLA42	DSB - 42", Clear Anodized, Anti-Microbial
DSB-CLA48	DSB - 48", Clear Anodized, Anti-Microbial
DSB-CLI	DSB - 36", Illuminated, Clear Anodized
DSB-CLI42	DSB - 42", Illuminated, Clear Anodized
DSB-CLI48	DSB - 48", Illuminated, Clear Anodized
DSB-CLIA	DSB - 36", Illuminated, Clear Anodized, Anti-Microbial
DSB-CLIA42	DSB - 42", Illuminated, Clear Anodized, Anti-Microbial
DSB-CLIA48	DSB - 48", Illuminated, Clear Anodized, Anti-Microbial
DSB-TDM	Through Door Mounting Kit for DSB
EL-DSB-CL	Dual Sense Bar - 36", Clear Anodized, ElectroLynx
EL-DSB-CLA	Dual Sense Bar - 36", Clear, ElectroLynx, Anti-Microbial
TCP-BK	Touch Bar Cover Plates - Set of 2, Black Anodized
TCP-CL	Touch Bar Cover Plates - Set of 2, Clear Anodized





PRODUCT FEATURES

- Can be field cut to accommodate non-standard openings up to 48"
- Activates a DPST 2 Amp rated relay when touched (no mechanical movement) which will allow free egress, or initiates the delay on an exit delay timer
- Backup push button
- 16 ft. [4.8m] 22AWG 6 conductor cable and armored door cord included
- Automatic dual voltage 12VDC/24VDC
- Available ElectroLynx® ready
- MagnaCare Lifetime Replacement No Fault Warranty

PRODUCT OPTIONS

- 36" Length
- 42" Length
- 48" Length
- EL- Prefix any model for ElectroLynx® ready
- D- Prefix any model for dummy bar with no release function

- Through-bolt kit works on doors up to 2-1/4" thick
- Cover plates for retrofit of competitor products
- Trailing edge timer

SPECIFICATIONS

- ANSI/UL 294 Listed
- CSA-C22.2 No.205 Listed
- CSFM – California State Fire Marshal Approved
- MEA- City of New York Approved
- CE: EN 50091-1, EN 61000-6-2 Approved

Electrical:

40mA at rest; 25mA releasing at 12VDC or 24VDC

Operating Temperature:

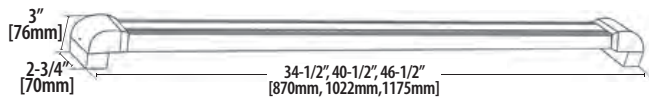
+32 to +110F [0 to +43C]
Recommended for indoor use

Shipping Weight:

7lbs [3.18kg] to 9lbs [4.08kg]
depending on length

Finishes:

BK - Black anodized
CL - Clear anodized



TCP covers unwanted mounting holes from previously installed exit bars



TSB

Touch Sense Bar

Touch-Triggered Release for Reliable Egress

The TSB Touch Sense Bar provides touch-triggered release of magnetically locked, non-fire-rated doors. Touching the bar, even through light gloves or clothing, triggers an electronic sensor that releases the lock. For indoor use only, the TSB installs easily on all types of metal, aluminum or wood frame doors. Meets "no special tools or knowledge" criteria in code requirements.

» MODELS

PART # | Description

TSB-BK	TSB - 36", Black Anodized
TSB-BK-42	TSB - 42", Black Anodized
TSB-BK-48	TSB - 48", Black Anodized
TSB-BKT	TSB - 36" w/ Trailing Edge Timer [3 sec], Black Anodized
TSB-BKT-48	TSB - 48" w/ Trailing Edge Timer [3 sec], Black Anodized
TSB-CL	TSB - 36", Clear Anodized
TSB-CL-42	TSB - 42", Clear Anodized
TSB-CL-48	TSB - 48", Clear Anodized
TSB-CLT	TSB - 36" w/ Trailing Edge Timer [3 sec], Clear Anodized
TSB-CLT-42	TSB - 42" w/ Trailing Edge Timer [3 sec], - Clear Anodized
DTSB-BK	Dummy TSB Bar - 36" w/ End Caps & Fasteners, Black Anodized
DTSB-BK-42	Dummy TSB Bar - 42" w/ End Caps & Fasteners, Black Anodized
DTSB-BK-48	Dummy TSB Bar - 48" w/ End Caps & Fasteners, Black Anodized
DTSB-CL	Dummy TSB Bar - 36" w/ End Caps & Fasteners, Clear Anodized
DTSB-CL-42	Dummy TSB Bar - 42" w/ End Caps & Fasteners, Clear Anodized
DTSB-CL-48	Dummy TSB Bar - 48" w/ End Caps & Fasteners, Clear Anodized
EL-TSB-BK	TSB - 36", Black Anodized, ElectroLynx
EL-TSB-BK-42	TSB - 42", Black Anodized, ElectroLynx
EL-TSB-BK-48	TSB - 48", Black Anodized, ElectroLynx
EL-TSB-CL	TSB - 36", Clear Anodized, ElectroLynx
EL-TSB-CL-42	TSB - 42", Clear Anodized, ElectroLynx
EL-TSB-CL-48	TSB - 48", Clear Anodized, ElectroLynx
TCP-BK	Touch Bar Cover Plates - Set of 2, Black Anodized
TCP-CL	Touch Bar Cover Plates - Set of 2, Clear Anodized
TSB-TDM	Through Door Mounting Kit for TSB-3



DUAL VOLTAGE

SECURITRON®

ASSA ABLOY



PRODUCT FEATURES

- DPST 2 Amp rated relay
- Internal 0-25 second timer
- Built-in redundant button
- MagnaCare Lifetime Replacement No Fault Warranty

Dimensions:

3-3/16" L x 1-1/2" D x 5-3/4" H

Electrical:

40mA at rest; 25mA releasing at 12VDC or 24VDC

Operating Temperature:

+32 to +110F [0 to +43C]
Indoor use only

Shipping Weight:

1.5lbs [0.68kg]

Finish:

US32D/630 - Satin Stainless Steel



SP-1

Touch Sense Plate

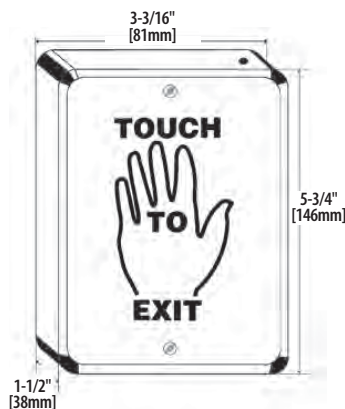
Touch Sense Technology in a Wall-Mount Request to Exit Plate

The SP-1 uses touch sensing technology to create a push plate with no moving parts. For indoor use only, the unit is oversized to cover a single gang cutout. Ideal to assist with ADA compliance, the unit includes a three-part vinyl "Touch to Exit" decal. A red LED is incorporated into the backbox.

» MODELS

PART # | Description

SP-1	Touch Sensor Plate
SP-1L	Label Touch Plate [SP-1]
SP-1LH	Label Touch Plate [SP-1] - Handicap Decal



SECURITRON
ASSA ABLOY



PB SERIES » MEDIUM ROUND ILLUMINATED

- 7 Amp rated contacts
- Includes interchangeable green and red lenses
- Red LED on plate
- Stainless Steel single gang plate: 4-1/2" x 2-3/4" [114mm x 70mm]
- UL outdoor rated
- MagnaCare Lifetime Replacement No Fault Warranty

» MODELS

PART # | Description

PB	PB - Momentary, SG, DPST, Illuminated w/ Red/Grn Lens
PBA	PB - Alternate, SG, DPST, Illuminated w/ Red/Grn Lens



LISTED



PB2 SERIES » LARGE SQUARE

- Easy to read 2" size
- 5 Amp rated contacts
- Includes interchangeable green, red and blue ADA lenses
- Stainless steel single gang plate: 4-1/2" x 2-3/4" [114mm x 70mm]
- MagnaCare Lifetime Replacement No Fault Warranty

Product Options

- Standard or Illuminated
- Single Pole-Double Throw
- Double Pole-Double Throw
- Red LED on plate

» MODELS

PART # | Description

PB2	PB - Momentary, Single Gang, Illuminated, Grn/Red/Handicap
PB22	PB - 2", Sq Grn Mom, DP w/Light - SG, Green/Red/Handicap
PB2E	PB - Momentary, Single Gang, Green/Red/Handicap
PB2-LK	Illumination Kit for PB2E, PB5E, EEB2 Series Push Buttons

PB

Push Buttons

Securitron® Quality with a Wide Range of Options for Size, Color and Function

High-quality Securitron Push Buttons are available in a broad selection of colors, sizes, switch types and outputs. With a wide range of options for interchangeable lenses and field convertible outputs, Securitron push buttons can release any maglock, alone or in conjunction with door closers and other hardware.



PB3

PB3E

PB3EN

PB3N

PB3 SERIES » ASSORTED SIZES AND COLORS WITH A UNIFORM LOOK

- 3 Amp rated contacts
- Includes interchangeable green and red lenses
- Field convertible from DPST to DPDT
- Stainless steel single gang plate: 4-1/2" x 2-3/4" [114mm x 70mm]
- Stainless steel narrow stile plate: 4-1/2" x 1-3/4" [114mm x 44mm]
- Surface mount: 3-7/8" x 2" [98mm x 51mm]
- Red LED on plate
- MagnaCare Lifetime Replacement No Fault Warranty

» MODELS

PART # | Description

PB3	PB - Momentary, Single Gang, Illuminated, Green/Red Lens
PB3A	PB - Alternate, Single Gang, Grn/Red Lens
PB3AN	PB - Alternate, Narrow, Grn/Red Lens
PB3E	PB - Momentary, Single Gang, Grn/Red Lens
PB3EA	PB - Alternate, Single Gang, Grn/Red Lens
PB3EAN	PB - Alternate Narrow, Grn/Red Lens
PB3EAR	PB - Remote Alternate, Surface Mount Green/Red Lens
PB3EN	PB - Momentary, Narrow Grn/Red Lens
PB3ER	PB - Remote Momentary, Surface Mount Grn/Red Lens
PB3-LK	Illumination Kit, Grn/Red for PB3E/EEB3N Series
PB3N	PB - Momentary Narrow, Green/Red Lens

SECURITRON®
ASSA ABLOY

PB

Push Buttons Continued



PB4L SERIES » VANDAL-RESISTANT STAINLESS BUTTON WITH ILLUMINATED HALO

- 4 Amp rated contacts
- Illuminated green Halo-style button
- Bi-color LED
- Vandal and tamper resistant
- Stainless steel single gang plate: 4-1/2" x 2-3/4" [114mm x 70mm]
- Stainless steel narrow stile plate: 4-1/2" x 1-3/4" [114mm x 44mm]
- MagnaCare Lifetime Replacement No Fault Warranty

» MODELS

PART # | Description

PB4L-2	PB [DP], Momentary, Single Gang, Green Illuminated Halo
PB4LA-2	PB [DP], Alternate, Single Gang, Green Illuminated Halo
PB4LAN-2	PB [DP], Alternate, Narrow Stile, Green Illuminated Halo
PB4LN-2	PB [DP], Momentary, Narrow Stile, Green Illuminated Halo



PB5 SERIES » EASY TO READ LARGE ROUND

- 5 Amp rated contacts
- Includes interchangeable green, red and blue ADA lenses
- Stainless Steel single gang plate: 4-1/2" x 2-3/4" [114mm x 70mm]
- Field convertible from DPST to DPDT
- MagnaCare Lifetime Replacement No Fault Warranty

» MODELS

PART # | Description

PB5	PB - 2" Round, Momentary, DPST, w/Light, SG, Red/Grn/Handicap
PB5E	PB - 2" Round, Momentary, DPST, w/o Light, SG, Red/Grn/Handicap
PB2-LK	Illumination Kit for PB2E, PB5E, EEB2 Series Push Buttons

MAGNACARE® LIFETIME REPLACEMENT WARRANTY

The Industry's Best Warranty

LIFETIME - NO FAULT - TOMORROW

- MagnaCare covers every product that Securitron® manufactures. No product registration is required.
- Your product will be replaced FOREVER, for any reason, including but not limited to installation error, vandalism or act of God.
- Replacement product is shipped next day air at Securitron's expense if needed.

At Securitron®, we pay special attention to the needs of our customers. Our 1-800-MAGLOCK sales and service support line puts you in touch with our knowledgeable and friendly team to assist you with the smallest detail, or the most difficult application, including wiring diagrams. In 1999, Securitron introduced the first "no strings attached" warranty program called MagnaCare. MagnaCare replaces any product that we manufacturer, for any failure reason, for the life of the installation.

*Vista Series maglocks are covered by VistaCare One Year No Fault Warranty.
BPSS and R100-1H are protected by SecuriCare Three Year No Fault Warranty.*

SECURITRON®
ASSA ABLOY

MAG LOCKS
ELECTROMECH
LOCKS
SPECIALTY LOCKS
EXIT DEVICES
ENTRY DEVICES
ACCESS CONTROL
ACCESSORIES
POWER SUPPLIES
POWER TRANSFER
POWER
ACCESSORIES
RESOURCES



PRODUCT FEATURES

- Active microwave motion sensing using Doppler radar—more reliable than infrared sensors
- Adjustable sensing zone from 4" to 24" helps screen out incidental traffic
- Microwave sensing FCC certified for use in general and medical environments
- Touchless activation for hands-free operation, reduces transmission of germs
- Pulse mode to initiate action or toggle mode to provide on/off switch
- Offered in a single-gang or double-gang model
- Mounting ring included or install in standard plastic or metal gang box
- Water resistant—foam gasket included
- Compatible with Securiton WBB Weather Back Box and WCC Weather Cover-Clear
- MagnaCare Lifetime Replacement No Fault Warranty

SPECIFICATIONS

- Electromagnetic compatibility according to 2004/108/EC
- FCC: G9B-MS08
- IC: 4680A-MS08

Dimensions:

Single gang faceplate:

4-1/2" x 2-3/4"

Double gang faceplate:

4-1/2" x 4-1/2"

Current:

Self-sensing 12 or 24V DC or AC input ($\pm 10\%$)

Maximum power consumption: less than 1.5 Watts

1 amp SPDT contact can be operated in toggle or pulse mode

Pulse output: 0.5 seconds

Operating Temperature:

-4 to +131F [-20 to +55C]

Shipping Weight:

0.5 lbs

Need an Outdoor Solution?



WCC



WBB

WCC and WBB allow the Wave Sense Switch to be mounted in outdoor locations not directly exposed to rain or snow

WSS

Wave Sense® Switch

No-Touch Switch for Hands-Free Activation

The Wave Sense Switch features a new class of motion sensing technology for hands-free, contactless switch activation. Use for request to exit (REX), activation or on/off switching to trigger a variety of access control devices in place of a push plate or push button.

» MODELS

PART # | Description

WSS-W1	Wave Sense Switch—with white, single gang faceplate
WSS-W2	Wave Sense Switch—with white, double gang faceplate
WBB	Weather Back Box
WCC	Weather Cover-Clear



DUAL VOLTAGE

SECURITRON
ASSA ABLOY



PRODUCT FEATURES

- Single gang, stainless steel plate with low voltage mounting ring
- 12 key illuminated 3x4 keypad
- True 10-digit operation (10 digits plus * and # keys)
- 99 user code capability
- Easy programming from the keypad
- Passage mode and Lockout mode
- Configurable audible keystroke echo
- Red, green and yellow LEDs for status and programming feedback
- Fail secure or fail safe-capable
- Easy to install with simple hand tools
- Accepts 12V or 24VAC or DC current
- 5 Amp SPDT timed, control relay output
- Request to Exit (REX) input
- MagnaCare Lifetime Replacement No Fault Warranty

PRODUCT OPTIONS

- Weather-resistant cover
 - Weather-resistant backbox
- Dimensions:**
2-3/4"W x 4-1/2"H x 5/32"D
- Electrical:**
70mA at 12VDC or 24VDC
Maximum 30VDC or 300VAC switched voltage
- Operating Temperature:**
-10 to +140F [-23 to +60C]
Primarily for indoor applications
- Shipping Weight:**
1lb [0.45kg]
- Finishes:**
US32B/630 - Satin Stainless Steel

Need an Outdoor Solution?



WCC



WBB

WCC and WBB allow DK-12 keypad to be mounted in outdoor locations not directly exposed to rain or snow

DK-12

Digital Keypad

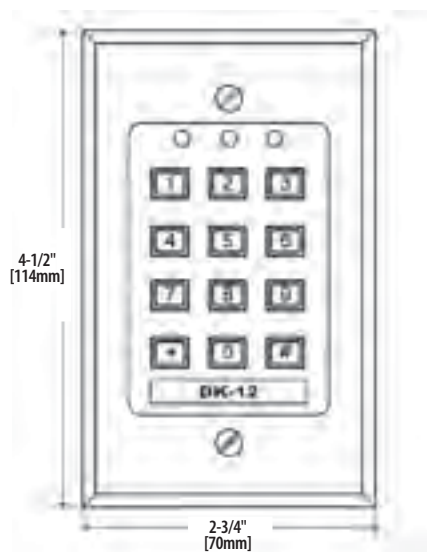
All-in-One Keypad System for Single-Door Traffic Control

The DK-12 standalone keypad and controller is ideal for lower security requirements such as traffic control. Easy to install and easy to program, the one-piece DK-12 supports 99 user codes, including Passage mode and Lockout mode.

» MODELS

PART # | Description

DK-12	Digital Keypad System w/ Illuminated Keys - Single Gang
WBB	Weather Back Box
WCC	Weather Cover - Clear



SECURITRON
ASSA ABLOY



DK-16

Digital Keypad

Secure, Easy-to-Program Single Door Control System

The DK-16 digital keypad system provides medium/high security control of electric locks in a one- or two-door application where both doors have the same control needs. The tamper-resistant 3x4 keypad provides true 10-key operation for use and programming. Encased in a separate enclosure for secure installation in a protected area, the controller offers REX input and relay output for lock control, alarm shunt or other interfaces.

PRODUCT FEATURES

- 12 key 3x4 keypad with engraved and paint filled numbers
- Stainless steel plate
- Red, green and yellow LEDs for status and programming feedback
- Audible keystroke echo
- Controller mounted in plastic enclosure
- 59 users, expandable to 119
- User code and/or hard code disable feature
- 5 Amp DPDT relay output
- Request-to-exit (REX) input
- True 10 digit operation (keys are not paired), 3 LEDs and a beeper
- 16 ft. [4.8m], 12 conductor, 22 gauge keypad cable
- MagnaCare Lifetime Replacement No Fault Warranty

PRODUCT OPTIONS

- Wiegand output
- Expansion board to expand users to 119

- Weather-resistant cover
- Weather-resistant back box
- Keypad available as system or separately

Dimensions:

Keypad:
2-3/4"W x 4-1/2"H x 5/32"D

Enclosure:
6"W x 8"H x 3"D

Electrical:

7mA at rest; 160mA active at 12VAC or 12VDC
20mA at rest; 190mA active at 24VAC or 24VDC

Operating Temperature:

CPU:
+32 to +158F [0 to +70C]

Keypad:
+32 to +110F [0 to +43C]

Primarily for indoor use

Shipping Weight:

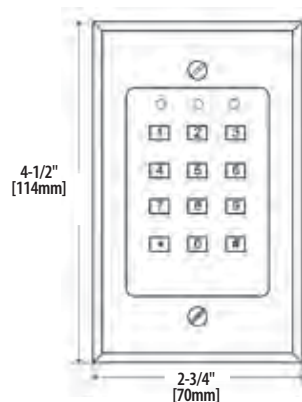
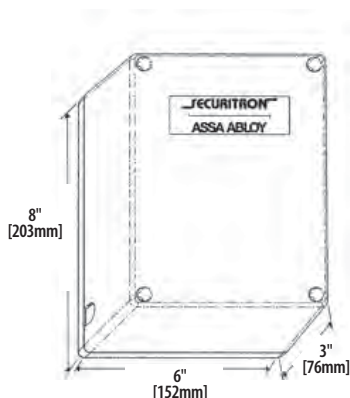
4.2lbs [1.91kg]

Finishes:

US32D/630 – Satin Stainless Steel

MODELS

PART #	Description
DK-16	Digital Keypad System - Indoor, Single Gang
DK-16P	Digital Keypad Pad - Indoor, Single Gang
DK-16W	Digital Keypad System - Wiegand, Indoor, Single Gang
DK-16XB	DK-16 w/ Expansion Board - Indoor, Single Gang
WBB	Weather Back Box
WCC	Weather Cover - Clear



SECURITRON
ASSA ABLOY



PRODUCT FEATURES

- Cast stainless steel with 11 EPDM rubber keys
- Weatherproof and vandal resistant
- 12V or 24V/ AC or DC current
- Mounts on a narrow mullion
- Audible keystroke echo
- True 10 digit operation (keys are not paired)
- 59 users with multiple entry codes
- Expansion board adds users, real time calendar, more relays and outputs
- User code and hard code disable feature
- Passage Mode and Lockout Mode
- 5 Amp DPDT relay
- Request-to-exit (REX) input
- 16 ft. [4.8m], 12 conductor, 22 gauge keypad cable
- 3 LEDs and a bell button
- MagnaCare Lifetime Replacement No Fault Warranty

PRODUCT OPTIONS

- "W" indicates Wiegand output
- Expansion board for up to 119 users
- Spy Shield
- Cover plate
- Keypad available as system or separately

SPECIFICATIONS

- CE: EN 50091-1, EN 61000-6-2 Approved

Dimensions:

Keypad: 1-1/2"W x 7"H x 7/8"D

Enclosure: 6"W x 8"H x 3"D

Electrical:

7mA at rest; 160mA active at 12VAC or 12VDC

20mA at rest; 190mA active at 24VAC or 24VDC

Operating Temperature:

CPU: +32 to +158F [0 to +70C]

Keypad: -22 to +158F [-30 to +70C]

Indoor or Outdoor use

Shipping Weight:

5lbs [2.27kg]

Finishes:

US32D/630 - Satin Stainless Steel

BK - Black

DK-26

Digital Keypad

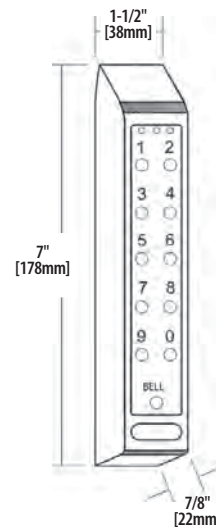
Digital Control System for Narrow Stile Applications

The DK-26 digital keypad system provides medium/high security control of electric locks in one or two door applications where doors have the same control needs. The fully weatherproof, rugged stainless steel keypad can be mounted in most outdoor environments. Encased in a separate enclosure for secure installation, the full-featured, easy to program, DK-26 is ideal for narrow stile applications.

» MODELS

PART # | Description

DK-26BK	Digital Keypad System - Narrow Stile, Black Anodized
DK-26BKXB	DK-26 w/ Expansion Board - Narrow Stile, Black Anodized
DK-26PBK	Digital Keypad Pad - Narrow Stile, Black Anodized
DK-26PSS	Digital Keypad Pad - Narrow Stile, Stainless Steel
DK-26SS	Digital Keypad System - Narrow Stile, Satin Stainless
DK-26SSXB	Digital Keypad System - Narrow Stile w/ Expansion, Satin Stainless
DK-26WBK	Digital Keypad System - Wiegand, Narrow Stile, Black Anodized
DK-26WSS	Digital Keypad System - Wiegand, Narrow Stile, Satin Stainless



SECURITRON
ASSA ABLOY

MK

Mortise Keyswitch

Turns Standard Mortise Cylinder into Full Featured Key Switch

The MK keyswitch supports electric lock control, alarm panel arming, reset and override when paired with any mortise cylinder 1-1/8" to 1-1/2".



PRODUCT FEATURES

- Standard with momentary SPDT switch
- 12 or 24VDC
- Bi-color LED
- Backing bracket permits integration with any 1-1/4" [32mm] or 1-1/8" [28mm] mortise cylinder (not included)
- Support for 1-1/2" cylinder using spacer ring and backset
- Additional switch position on backing bracket allows another switch to be activated by turning the key in the opposite direction
- 5 Amp rated plunger switch
- Includes anti-tamper screws
- MagnaCare Lifetime Replacement No Fault Warranty

PRODUCT OPTIONS

- Momentary or Alternate
- SPDT or DPDT
- Narrow Stile, Single- or Double-Gang
- Local annunciation via Piezo sounder
- Additional switch add on
- 1-1/8" Key Cylinder, 26D Finish, SC keyway

SPECIFICATIONS

- ANSI/UL 294
- CSFM - California State Fire Marshal Approved
- MEA - City of New York Approved

» MODELS

PART # | Description

MK	MK - Momentary, Single Gang
MK2	MK - DPDT Momentary, Single Gang
MKA	MK - Alternate, Single Gang
MKA2	MK - DPDT Alternate, Single Gang
MKAN	MK - Alternate - Narrow
MKAN2	MK - DPDT Alternate, Narrow
MKAPZ	MK w/ Audible - Alternate, Double Gang
MKC	Mortise Cylinder for MK Series
MKC-KA	Mortise Cylinder for MK Series - Keyed Alike
MKN	MK - Momentary, Narrow
MKN2	MK - DPDT Momentary, Narrow
MKPZ	MK w/ Audible Momentary - Double Gang
MKS	MK - Momentary, Switch Only
MKS2	MK - DPDT Momentary, Switch Only
MKSA	MK - Alternate, Switch Only
MKSA2	MK - DPDT Alternate, Switch Only

KP1

Tubular Keyswitch

Simple Solution for Exit, Door Release, Manual Override or Reset



PRODUCT FEATURES

- For less demanding applications
- Stainless steel face plates
- 12/24VDC bi-color LED, tubular style keyswitches
- 7 Amp rated SPDT switch
- Momentarily turning the key changes the state of the contacts

- Includes anti-tamper screws
- Includes two keys
- MagnaCare Lifetime Replacement No Fault Warranty

PRODUCT OPTIONS

- Momentary or Alternate switch
- Single gang or narrow stile

» MODELS

PART # | Description

KP1	Tubular Keyswitch Momentary - Single Gang
KP1A	Tubular Keyswitch Alternate - Single Gang
KP1AN	Tubular Keyswitch Alternate - Narrow
KP1N	Tubular Keyswitch Momentary - Narrow



SECURITRON
ASSA ABLOY

DPS

Door Position Switches

DPS-W and DPS-M door position switches enable access control systems to monitor the open or closed state of a door. These switches can transmit an initiate signal to Securitron's XDT delayed exit logic timers and DPA door prop logic timers.



DPS-W

Concealed Door Position Switch for Wood Doors

- Mated magnetic switch and cylindrical magnetic contact
- Recesses into door and frame
- 3/4" [19mm] round installation, 15/16" deep
- Provides Normally Closed SPST switch
- Works with door gap up to 3/4" [18mm]
- MagnaCare Lifetime Replacement No Fault Warranty

DPS-M

Concealed Door Position Switch for Metal Doors

- Mated magnetic switch and magnetic contact

- Recessed into door and frame
- 3/4" [19mm] round installation, 1/2" deep
- Larger cylindrical magnet counters shielding effect of steel
- Provides Normally Closed SPST switch
- Works with door gap up to 3/4" [18mm]
- MagnaCare Lifetime Replacement No Fault Warranty

PRODUCT OPTIONS

- Available in white, gray or black

Electrical:

Switching Current AC/DC (max): 0.4A

Operating Temperature:

-40 to +150F [-40 to +65C]

» MODELS

PART # | Description

DPS-M-BK	DPS for Metal Doors - Black
DPS-M-GY	DPS for Metal Doors - Grey
DPS-M-WH	DPS for Metal Doors - White
DPS-W-BK	DPS for Wood Doors - Black
DPS-W-GY	DPS for Wood Doors - Grey
DPS-W-WH	DPS for Wood Doors - White

J-1055-04F

Door Position Switch

Compact Concealed Door Position Switch for Wood Doors

This economical, versatile door position switch fits into smaller spaces. Its compact, concealed design is ideal for wood door installations.



PRODUCT FEATURES

- Mated magnetic switch and magnetic contact
- Recessed into door and frame
- 1/4" round installation, approximately 1-1/4" deep
- Provides Normally Closed SPST switch

- Can be field modified to provide Normally Open contact
- MagnaCare Lifetime Replacement No Fault Warranty

Electrical:

Switching Current AC/DC (max): 0.5A

Operating Temperature:

-40 to +150F [-40 to +65C]

» MODELS

PART # | Description

J-1055-04F	Door Position Switch
------------	----------------------

SECURITRON
ASSA ABLOY