

ABLOY® FIRE DOOR CLOSING SYSTEMS

Maximum security



ABLOY® FIREDOOR CLOSING SYSTEMS

Maximum security and easy access

ABLOY® high security products are well known and highly respected all over the world. Every item in our wide product range represents top quality and superior performance. Our long extensive experience and expertise combined with customer-oriented research and development ensure a wide range of solutions for the varying demands of different door environments.

Our global network of sales offices and distributors will help you to choose the right products to increase security and convenience in your specific application. The function and features offered by **ABLOY®** fire door closing systems give you convenient operation, simple installation as well as ease of adjustment and maintenance.

Individual solution for each application
Slim design *Simplified installation*
Wide range of colours



When ordering, please specify

- Product number and colour for the fire door closing system e.g. FD460 Silver (FD460 series includes arm and sliding rail)
- Product number and colour for the door closer e.g. DC250 Aluminium
- Product number and colour for the mounting plate e.g. DC115 White
- Product number and colour for the closing side accessory kit FD120 White, if needed



Security in the event of fire

It is vital for fire doors to close in the case of fire. The fire door must close and latch automatically in order to limit the spread of smoke and fire into other parts of the building. During daytime the normal use of fire doors requires the doors to remain open.

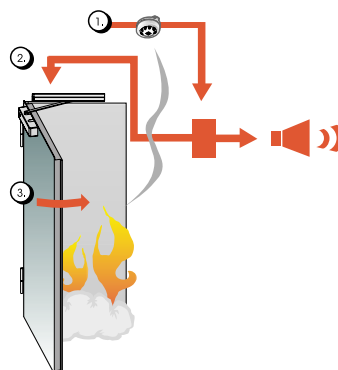
ABLOY® fire door closing systems guarantee easy access and convenience for use in the day time as well as maximum security in the event of fire.

ABLOY® fire door closing systems are composed of reliable and compatible components that enable building up a safe, individual solution for each application.

ABLOY® fire door closing systems are CE certified. Our products are available with wide variety of standard colours as well as all RAL-colours.

FUNCTION OF FIRE DOOR CLOSING SYSTEMS

If fire doors are held open they must close in the break out of a fire to retain smoke and flames and prevent the fire from spreading throughout the building. The smoke detector (1) reacts to smoke and activates the alarm to the hold open device of the door (2). The door closer (3) closes and latches the door into closed position. The fire alarm central panel or the fire detector (in a single door system) can activate the alarm.



CONTENT

ABLOY® FD440 Freeswing solution	4
ABLOY® FD460 Electromechanical hold open device	5
ABLOY® FD461 Coordinator for double doors	6
ABLOY® FD462 Hold open device for double doors	7
ABLOY® FD464 Electromechanical hold open device for double doors	8
ABLOY® FD110 Coordinator for double doors	9
ABLOY® FD120 Accessory set for closing side installation	9
INSTALLATION, DIMENSIONS	
FD440	10
FD460, FD462, FD464	11
ACCESSORIES	12
MOUNTING PLATES AND ACCESSORIES	13
WIRING DIAGRAM	14
CONNECTION OF CONTROL UNIT	15

COLOURS (Door closers, arms and mounting plates)

White (RAL 9010)



Aluminium (RAL 9006)



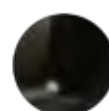
Brass



Brown (RAL 8014)



Black (RAL 9005)



METAL COVERS

Stainless Steel



ABLOY® FD440



ABLOY® FD440 FREESWING SOLUTION FOR SINGLE DOOR

ABLOY® FD440 is particularly useful for applications where the door is in frequent use and the opening resistance of a standard door closer may be too heavy, such applications are kindergartens, schools, retirement homes and day centres.

ABLOY® FD440 incorporate adjustable closing force sizes EN 2-6 with standard arm FD499. When installed with FD499 arm, the maximum door weight is 120 kg and door width 1400 mm. Adjustable closing force size EN3-4 with sliding free swing arm FD494. When installed with FD494 arm, the maximum door weight is 80 kg and door width 1100 mm.

PRODUCTS

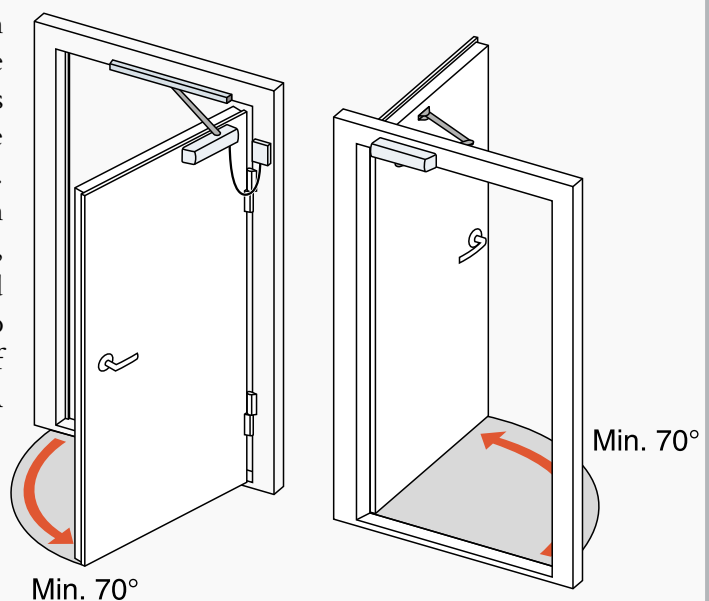
- **ABLOY®** FD440
- Arm type FD494 or FD499
- Power supply EA701 or control unit 7400
- Door release button 7462

If needed:

- Optical smoke detector FD600 2 pcs or heat detector FD602 2 pcs
- FD140 connection box for opening side installation

FUNCTION

When freeswing arms are used and power is on the first door opening, the opening resistance is like with a normal door closer. The door is opened to the desired angle to determine the opening angle for later use (min. approx. 70°). After the first opening, the freeswing function enables the door to be opened and closed freely, without resistance. When the power is switched off, i.e. when the smoke detectors react to smoke, the FD440 closes the door regardless of the door position. Current consumption 90 mA (24 VDC).



ABLOY® FD460



ABLOY® FD460 ELECTROMECHANICAL HOLD OPEN DEVICE FOR SINGLE DOOR

ABLOY® FD460 is a small and aesthetic electromechanical hold open device system with a sliding arm. It is applicable for places, where fire doors are constantly kept open. The door is kept open at a selected angle. If fire breaks out, the door is closed, preventing smoke and flames from spreading. Applications for FD460 are hotels, office buildings and other fire doors where hold open function is needed.

The maximum door leaf width is 1400 mm and the maximum door weight 120 kg. **ABLOY®** FD460 is recommended to be used with CAM closers. FD460 is CE certified according EN 1155.

PRODUCTS

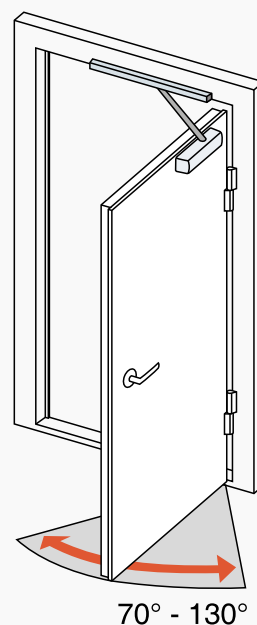
- **ABLOY®** FD460
- Door Closer DC250 / DC330
- Power supply EA701 or control unit 7400
- Door release button 7462

If needed:

- Optical smoke detector FD600 2 pcs or heat detector FD602 2 pcs.

FUNCTION

The door is held open by hold open device in the selected angle. When power is switched off, e.g. when smoke detectors react to smoke, the door closes. Hold open angle can be adjusted from 70° up to 130°. Hold open device has adjustable hold open force. Current consumption 60 mA (24 VDC).



ABLOY® FD461



ABLOY® FD461 MECHANICAL COORDINATOR FOR DOUBLE DOORS

ABLOY® FD461 is a stylish and small mechanical coordinator for double doors. FD461 is useful in applications where doors are normally kept closed. The coordinator is integrated inside the covered sliding rails which protects the coordinator from abuse e.g. in schools. FD461 is suitable for all kinds of double doors e.g. entrance halls in office and commercial buildings.

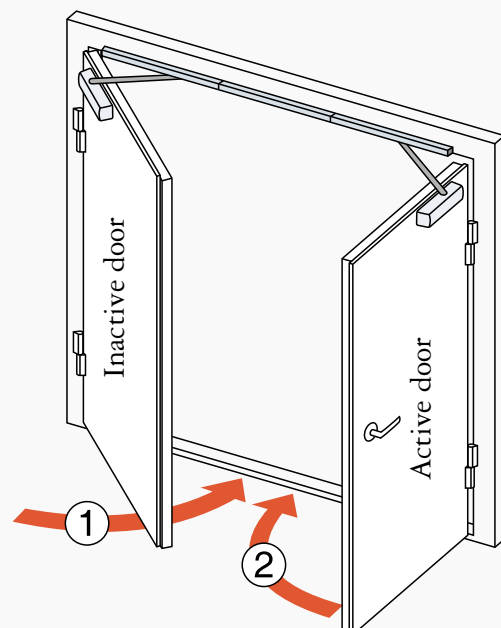
ABLOY® FD461 is suitable for double doors with hinge distance 1250-2800 mm and maximum door leaf weight of 120 kg. FD461 is recommended to be used with CAM closers. FD461 is CE certified according EN1158.

PRODUCTS

- **ABLOY®** FD461
- Door Closers DC250/DC330 2 pcs
- Flush bolt FD108 2 pcs
- Accessory set FD120 for closing side installation
- Carry bar FD101 or FD102

FUNCTION

FD461 mechanical coordinator keeps the active door open when inactive door is open. Active door starts to close when the inactive door is almost closed. After the active door is closed it latches the inactive door. FD120 must be used with closing side installations.



ABLOY® FD462



ABLOY® FD462 COORDINATOR AND TWO ELECTROMECHANICAL HOLD OPEN DEVICES

ABLOY® FD462 is a small, aesthetic fire door closing system with a sliding arm, a built-in coordinator and two electromechanical hold open devices for double doors. FD462 has been designed for places that require flexible use. Two electromechanical hold open devices provide possibility to keep either only the active door or both door leaves open.

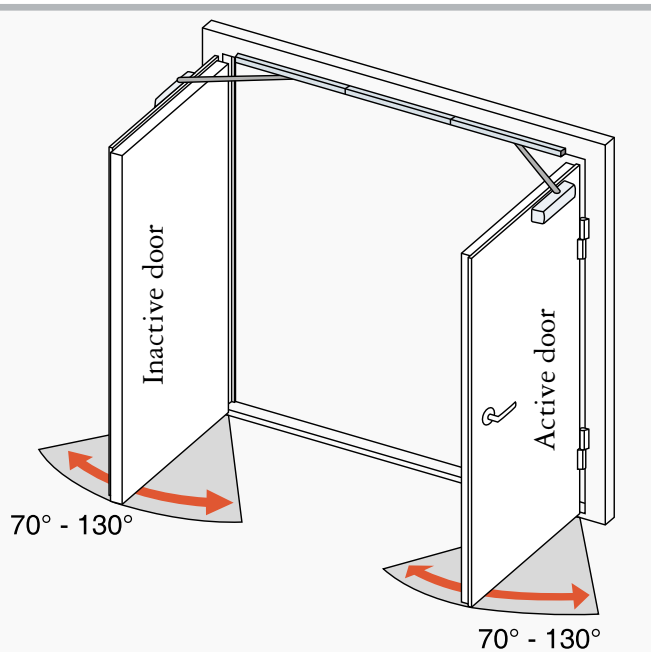
ABLOY® FD462 is designed for double doors with hinge distance 1250-2800 mm and maximum door leaf weight 120 kg. FD462 is recommended to be used with CAM closers. FD462 is CE certified according EN1155 and EN1158.

PRODUCTS

- **ABLOY®** FD462
- Door Closers DC250/330 2 pcs
- Power supply EA701 or control unit 7400
- Door release button 7462
- Optical smoke detector FD600 2 pcs or heat detector FD602 2 pcs
- Flush bolt FD108 2 pcs
- Accessory set FD120 for closing side installation
- Carry bar FD101 or FD102

FUNCTION

With FD462 the normal day use is convenient because both door leaves can be used independently. Only the active door or both door leaves can be kept open. The mechanical coordinator keeps the active door open when inactive door is open. When the power is switched off, i.e. when the smoke detectors react to smoke, the inactive door closes first and when it is almost closed, the active door starts to close. After the active door is closed it latches the inactive door. Hold open angle for both doors can be adjusted from 70 to 130 degrees. The Hold open devices include adjustable hold open force. Current consumption 120 mA (24 VDC). FD120 must be used with closing side installation of FD462.



ABLOY® FD464



ABLOY® FD464 COORDINATOR WITH ONE ELECTROMECHANICAL HOLD OPEN DEVICE

ABLOY® FD464 is a small, aesthetic fire door closing system with a sliding arm, one hold open device and the built-in coordinator for double doors. The applications for FD464 are for example hotels and hospital corridors, where both doorleaves are usually kept open.

ABLOY® FD464 is designed for double doors with hinge distance 1250-2800 mm and maximum door leaf weight 120 kg. FD464 is recommended to be used with CAM closers. CE certified according EN1155 and EN1158.

PRODUCTS

- FD464
- Door closers DC250/DC330 2 pcs
- Power supply EA701 or control unit 7400
- Door release button 7462
- Optical smoke detector FD600 2 pcs or heat detector FD602 2 pcs
- Flush bolt FD108 2 pcs
- Accessory set FD120 for closing side installation
- Carry bar FD101 or FD102

FUNCTION

In normal day use both doors are open. The hold open angle for inactive door can be adjusted 70-130 degrees. The hold open device keeps the inactive door open whereas the coordinator keeps the active door open. The maximum hold angle for the active door is 150°. When the power is switched off, i.e. when the smoke detectors react to smoke, the inactive door closes first and when it is almost closed, the active door starts to close. Hold open device includes adjustable hold open force. Current consumption 60mA (24 VDC). FD120 must be used with closing side installations of FD464.

