

Electromagnetic Locking Solutions



Z Series Single Non Monitored EML	52
Z Series Single Monitored EML	54
Z Series Double Non Monitored EML	56
Z Series Double Monitored EML	58
Z Series Recessed EML	60
Z Series Weather Resistant EML	62
Accessories	64

Z2, Z4 and Z8 Single Series Monitored Electromagnetic Lock

General Description

The Single Series Electromagnetic Locks operate with holding forces from 140kg up to 580kg. Covering a range of applications the Z2, Z4 and Z8 Electromagnets are ideal for applications from cupboard doors through to high use commercial swing doors.

With fixing options including wood, aluminium and steel constructions, as well as glass door applications, the range caters to most electromagnetic needs.

Key Features

- Fail-safe: unlocks when power is removed
- Easy installation: suitable for both new and retrofit usage
- High holding force: refer to the technical data overleaf
- Self-alignment: armature plate pivots to accommodate door drop
- Silent operation: no humming or buzzing
- Dual voltage: site selectable 12 or 24 Vdc
- Monitoring: Reed Switch monitoring on all models. Hall-Effect monitoring on Z4 and Z8 models.
- Instantaneous release: smart electronics on the Z Series Electromagnets eliminate residual magnetism

Monitoring

Hall / Bond Monitoring

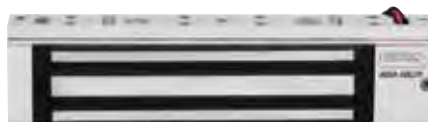
This indicates that the lock is powered and that the armature plate is in position and magnetically bonded (it monitors if the magnet is locked)

Reed switch monitoring

An integrated reed switch monitors the door position separately (it monitors the position of the door)

Applications

- Aluminium doors
- Glass doors
- IT Storage rooms
- Access control
- Surface mount for inswing and outswing doors



Z2 Electromagnetic Lock - Monitored



Z4 Electromagnetic Lock - Monitored



Z8 Electromagnetic Lock - Monitored

Standards and Compliance



Successfully fire rated up to 4hrs on fire door assemblies in accordance with AS1905.1. 2005 (Part 1: Fire resistant door sets)

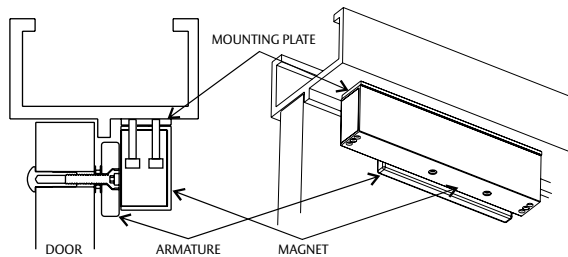


CE Approved

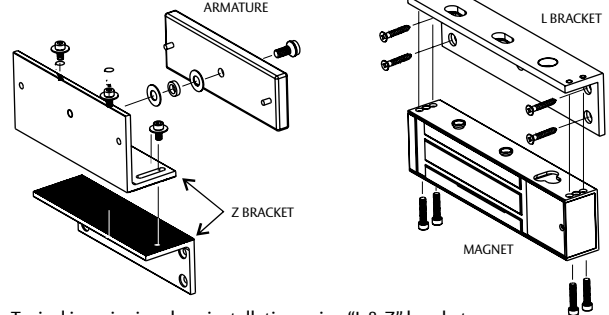


C-Tick Certified

Z2, Z4 and Z8 Single Series Monitored Electromagnetic Lock



Out swinging door using the standard mounting plate.



Typical in swinging door installation using "L & Z" brackets.

Single Series Technical Information

	Z2 Magnet	Z4 Magnet	Z8 Magnet
Holding Force	120kg – 140kg	250kg – 280kg	550kg – 580kg
Dimensions	(L)170 x (H)42 x (D)23 mm	(L)238 x (H)48 x (D)27 mm	(L)266 x (H)72 x (D)40 mm
Voltage	12Vdc/ 24Vdc ±10%	12Vdc/ 24Vdc ±10%	12Vdc/ 24Vdc ±10%
Current	280mA @ (12Vdc) 140mA @ (24Vdc)	450mA @ (12Vdc) 225mA @ (24Vdc)	512mA @ (12Vdc) 256mA @ (24Vdc)
Monitoring	Reed Switch	Hall-Effect & Reed Switch	Hall-Effect & Reed Switch
Operating Temperature	-25 to 55 Degrees	-25 to 55 Degrees	-25 to 55 Degrees
Operating Humidity	0 - 95%	0 - 95%	0 - 95%

Specification Statement

The Single Series Electromagnetic Lock should be constructed in an aluminium case with heavy duty electromagnet. The range only operates in fail safe mode and relies on a secondary lock or battery backup system. In some cases the magnet armature plate pivots to accommodate door drop. The lock needs to be equipped with "smart electronics" that have zero residual magnetism, (instantaneous release). This is crucial for correct operation.

Ordering Information

Product Description	Part Number
Z2 Electromagnet - Monitored	770150-010T
Z4 Electromagnet - Monitored (EML2H)	770300-012T
Z8 Electromagnet - Monitored (EML6)	770600-012T
Accessories	
Z2 L and Z Brackets	770150-901T
Z4 L and Z Brackets	770300-901T
Z8 Land Z Brackets	770600-901T
Z4 Glass Door Brackets	770300-905T
Z8 Glass Door Brackets	770600-905T
Z4 Amature Bracket Monitored	770300-910T
Z8 Amature Bracket Monitored	770600-955T
Z4 Screw Kit	770300-913T
Z8 Screw Kit	770600-950T

Z4 and Z8 Double Series Monitored Electromagnetic Lock



Z4 Double Electromagnetic Lock - Monitored



Z8 Double Electromagnetic Lock - Monitored

General Description

The Double Series Electromagnetic Locks operate with holding forces from 500kg up to 1160kg. Covering a range of applications these magnets are ideal for applications from access ways through to high use commercial swing doors. With fixing options including wood, aluminium and steel constructions, as well as glass door applications, the range caters to most electromagnetic needs.

Key Features

- Fail-safe: unlocks when power is removed
- Easy installation: suitable for both new and retrofit usage
- High holding force: refer to the technical data overleaf
- Self-alignment: armature plate pivots to accommodate door drop
- Silent operation: no humming or buzzing
- Dual voltage: site selectable 12 or 24 Vdc
- Monitoring: Hall-Effect and Reed Switch monitoring on all models
- Instantaneous release: Smart electronics on the Z Series electromagnets eliminate residual magnetism.

Applications

- Aluminium doors
- Double swing doors
- Access control
- Surface mount for inswing and outswing doors

Monitoring

Hall / Bond Monitoring

This indicates that the lock is powered and that the armature plate is in position and magnetically bonded (it monitors if the magnet is locked)

Reed switch monitoring

An integrated reed switch monitors the door position separately (it monitors the position of the door)

Standards and Compliance



Successfully fire rated up to 4hrs on fire door assemblies in accordance with AS1905.1. 2005 (Part 1: Fire resistant door sets)

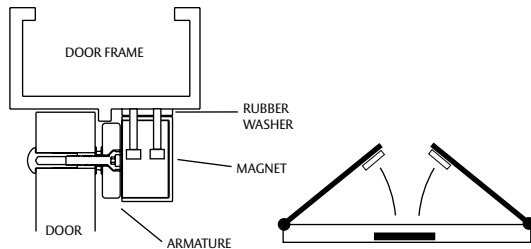


CE Approved

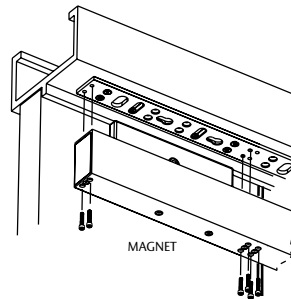


C-Tick Certified

Z4 and Z8 Double Series Monitored Electromagnetic Lock



Out swinging door using the standard mounting plate.



Adjust position of magnet relative to the armature.

Double Series Monitored Technical Information

	Z4 Magnet	Z8 Magnet
Holding Force	500kg – 560kg	1100kg – 1160kg
Dimensions	(L)476 x (H)48 x (D)27 mm	(L)532 x (H)72 x (D)40 mm
Voltage	12Vdc/ 24Vdc ±10%	12Vdc/ 24Vdc ±10%
Current	900mA @ 12Vdc 450mA @ 24Vdc	1024mA @ 12Vdc 512mA @ (12Vdc)
Monitoring	Hall-Effect and Reed Switch	Hall-Effect and Reed Switch
Operating Temperature	-25 to 55 Degrees	-25 to 55 Degrees
Operating Humidity	0 - 95%	0 - 95%

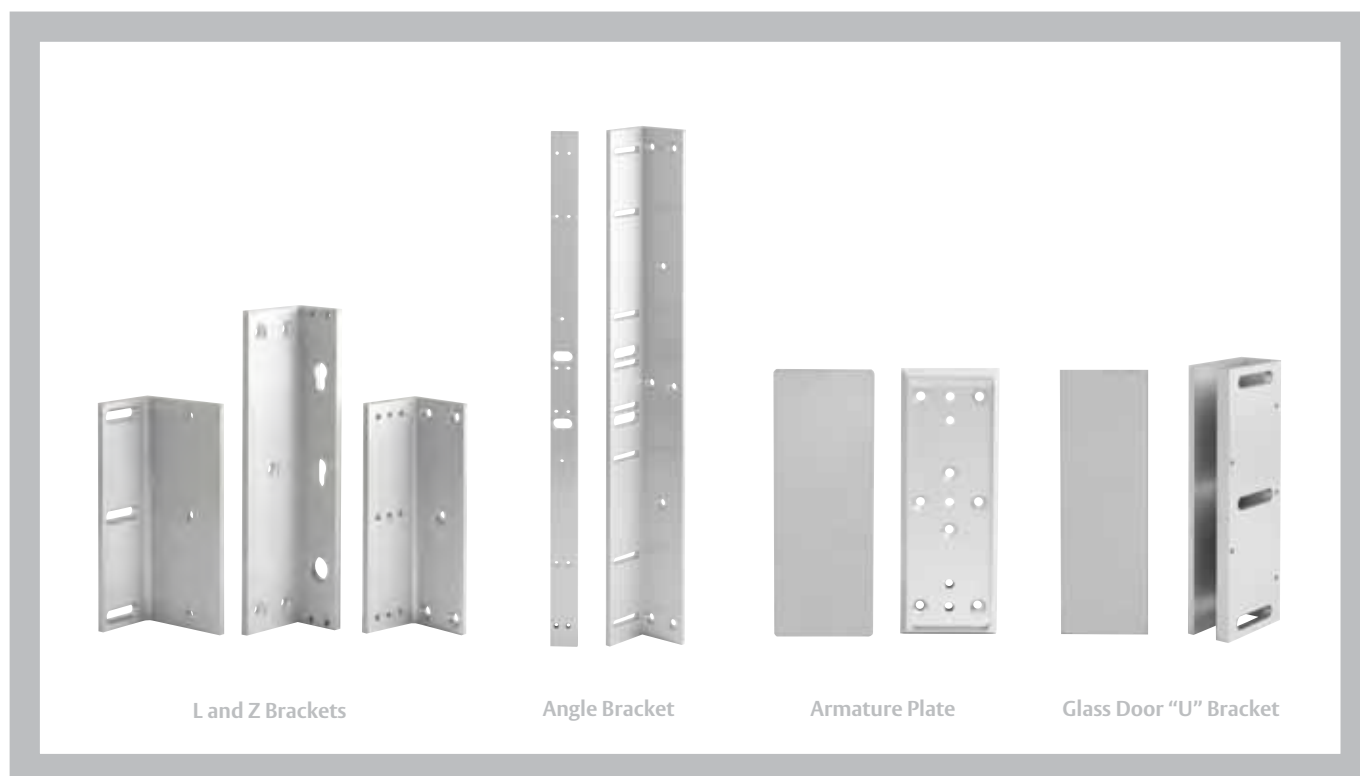
Specification Statement

The Double Series Electromagnetic Lock should be constructed in an aluminium base with heavy duty electromagnet. The range only operates in fail safe mode and relies on a secondary lock or battery backup system. The lock needs to be equipped with “smart electronics” that have zero residual magnetism, (instantaneous release). This is crucial for correct operation.

Ordering Information

Product Description	Part Number
Z4 Double Electromagnet – Monitored (EML2HD)	770300-112T
Z8 Double Electromagnet – Monitored (EML10)	770600-112T
Accessories	
Z4D L and Z Brackets	770300-902T
Z8D L and Z Brackets	770600-902T
Z4 Glass Door Brackets	770300-905T
Z8 Glass Door Brackets	770600-905T
Z4 Amature Bracket Monitored	770300-910T
Z8 Amature Bracket Monitored	770600-955T
Z4 Screw Kit	770300-913T
Z8 Screw Kit	770600-950T

Electromagnetic Lock Accessories



L and Z Brackets

Angle Bracket

Armature Plate

Glass Door "U" Bracket

General Description

The Trimec Electromagnetic lock range offers a number of accessory options. These accessories allow the electromagnetic locks to be used in a number of different applications and can be adjusted and suited to each situation. This allows the installer to configure the door as required allowing user specific features such as open in / open out selection or glass door applications. Trimec's Electromagnetic Lock accessories meet or exceed local and international standards, providing safe and secure locking.

Key Features

- Adjustable fixing positions
- Cast aluminium construction
- Meet and exceed International and local standards

Applications

- Open in/Open out doors
- Glass door security
- Double doors security
- Sliding door security

Ordering Information

Product Description	Part Number
L and Z Brackets	
Z2	770150-901T
Z4	770300-901T
Z4 Double	770300-902T
Z8	770600-901T
Z8 Double	770600-902T
Adjustable Angle Bracket	
Z4	770300-903T
Z4 Double	770300-904T
Z8	770600-903T
Z8 Double	770600-904T
Glass Door Armature Plate	
Z4	770300-908T
Z8	770600-908T
Glass Door "U" Bracket	
Z4	770300-905T
Z8	770600-905T